



COMPASS SMART DV

REAL DUAL VIEW ADVANCED SECURITY SOLUTION WITH ENHANCED DETECTION CAPABILITIES FOR FAST, SAFE AND PRECISE SCREENING



KEY FEATURES

- Superior high quality images
- Fast scan acquisition time
- Contraband detection software
- Real Dual View
- ANSI/HPS N43.17-2009
- Modular design

The COMPASS SMART DV System is designed to obtain projection two X-ray images of a person.

COMPASS SMART DV is most effective when searching for weakly contrast swallowed objects, as well as objects hidden in the natural cavities of the body.

It is the only available patented TRUE DUAL VIEW X-ray Screening System configured with two independent X-ray generators and detector arrays.

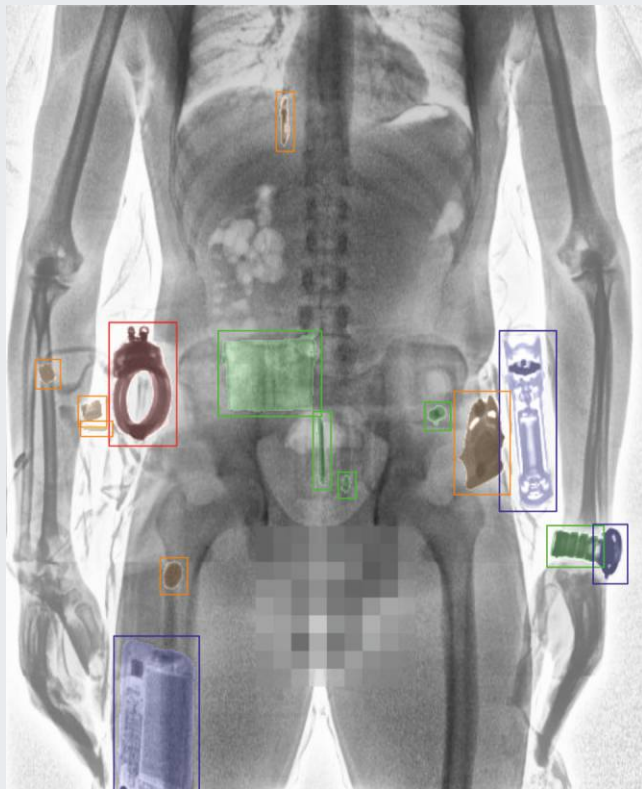
COMPASS SMART DV is intended for use at airports and border checkpoints, in the territories of production sites and mining and processing enterprises, prisons, administrative buildings and other places where a detailed examination of the human body is required, and increased security measures are in place.

COMPASS SMART DV

OPTIONS

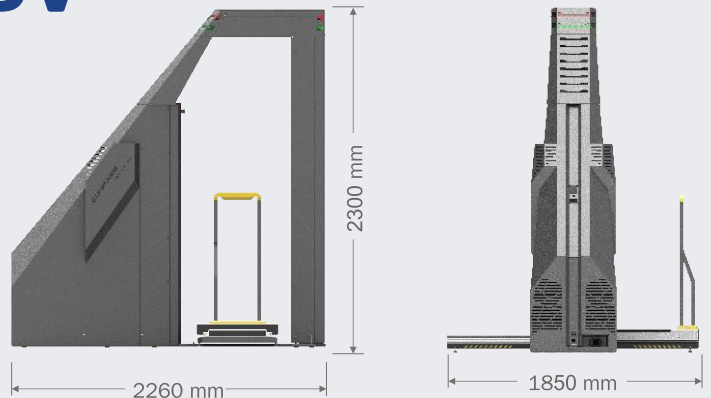
- low radiation dose (from 0.25 μ Sv), allowing multiple inspections of one person within a year
- use of A-EYE software - artificial intelligence system for automatic detection and classification of
- objects located inside and on the human body
- high quality and information content of the image
- high detection capacity
- high throughput
- integration into existing infrastructure, integration with access control systems and databases
- a wide range of image processing algorithms (tools)
- easy storage and transfer of the received information
- modular design for quick installation on site

SMART THREAT DETECTION



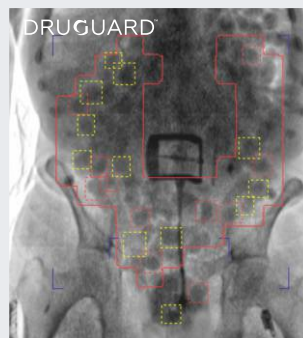
Automatic intellectual detection and indication of all threats on and inside the human body

- elements of clothes
- electronic devices (PCB inside)
- dangerous items (weapons, drugs)
- other items not belonging to the human body



COMPASS DMS

- COMPASS DMS can unite X-ray scanners from distant locations into one network keeping track of the total X-ray exposure dose for each inspected person even when the person undergoes a security screening in different locations
- COMPASS DMS synchronizes the information: inspected people's accounts, scan records, and X-ray images between all connected devices
- COMPASS DMS is a set of applications used to run X-ray people screening systems. The system allows operators to inspect people and view their accounts, perform a security screening, and view the obtained X-ray images
- COMPASS DMS include at least three levels of controlled access including the following:
 - An "Operator" level for making scan, creating and filing reports and saving images as required.
 - A "Supervisor" level for supervisory staff to update subject information, create / update operators, review images and file data and monitor all operators' activity and data collected
 - An "Administrator" level to create/update/delete user group members with different levels of access, view audit logs, view images, save images to external drives and generate reports



Automatic drugs detection software algorithms for operator assistance & control



Smart HD images for Increased penetration and resolution