



# DTP 7500LV

STATIONARY VEHICLE AND CARGO  
X-RAY INSPECTION SYSTEM



## KEY FEATURES

- Innovative drive-thru scanning technology
- Dual energy technology with colour-coding
- Lateral projection
- High throughput 110 vehicles per hour

DTP 7500LV is a state-of-the-art dual-energy X-ray inspection system for screening of loaded vehicles (container or general cargo), designed with innovative technology. The system helps to prevent illegal human trafficking, contraband and detect illegal drugs, weapons, explosives and other prohibited and dangerous objects. A dual-energy technology with automatic colour coding and material discrimination allows distinguishing organic, non-organic materials and metals, and helps to highlight all dangerous and prohibited items and objects hidden inside the vehicles.

It can be used at seaports, traffic control points, customs, temporary storage warehouse and other sites where total 100% cargo inspection is necessary.

DTP 7500LV offers the special algorithm of scanning - when drivers cabin is not scanned, or scanned with lower energy, producing such a low radiation dose for driver and passengers that allows drivers and passengers safely stay in their cabins and vehicles during the inspection process.

# DTP 7500LV

## APPLICATION



SECURITY CHECKPOINTS



BORDER CROSSINGS



MILITARY FACILITIES



CRITICAL INFRASTRUCTURE



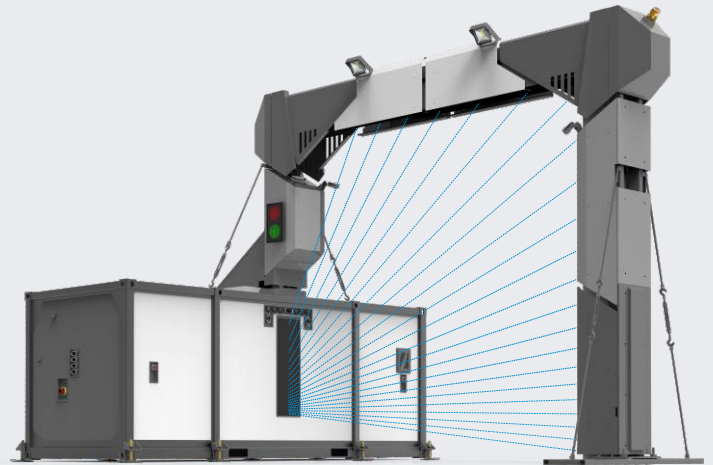
TRAFFIC CONTROL



SEA PORTS

## OPTIONS

- Automatic number plate recognition system (ANPR)
- Container code recognition system for freight container numbers
- Under vehicle inspection system (UVIS)
- Integrated radiation portal monitor (IRPM)
- Vehicle weighting system
- ID cards and passports reader



## GENERAL SPECIFICATIONS

Dimensions of scanning vehicles	≥ 20 x 3 x 4,7 m
Dimension of inspection tunnel	3,5 x 4,8 m
Scanning speed	5 - 10 km/h
Throughput capacity	up to 120 vehicles/hour
Steel penetration	up to 320 mm
Wire resolution (copper wire)	n 2 mm
Radiation dose to driver per scan	< 0,05 μSv (no cabin scan)
Operating temperature	from - 20 to + 45 °C
With climatic package	from - 30 to + 55 °C
Number of projections	1 (lateral)

- A dual-energy technology with automatic colour-coding and material discrimination allows distinguishing organic, non-organic materials and metals, and helps to highlight all dangerous and prohibited items and objects hidden inside the vehicles.

