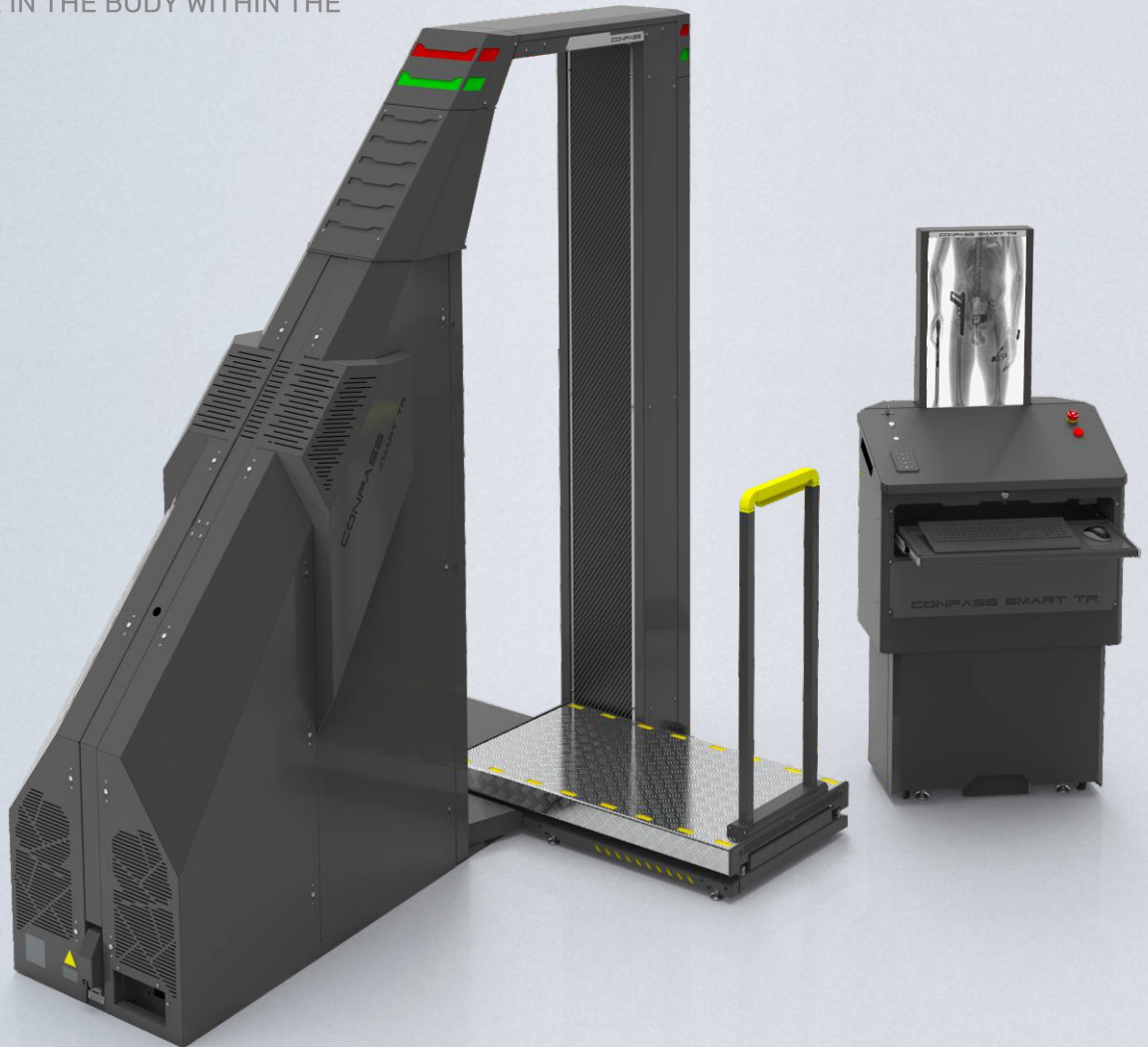




# COMPASS SMART TR

ADVANCED SECURITY SOLUTION WITH ENHANCED DETECTION CAPABILITIES FOR FAST, SAFE AND PRECISE SCREENING FOR ITEMS ON OR IN THE BODY WITHIN THE TORSO AREA



## KEY FEATURES

- 5 second scan acquisition time
- Modular design
- Small footprint
- Easy, hassle free plug & play installation
- Advanced operator usage data reporting software
- Available with advanced contraband detection software

The COMPASS SMART TR System is designed to obtain projection X-ray images of a person.

COMPASS SMART TR is most effective when searching for weakly contrast swallowed objects, as well as objects hidden in the natural cavities of the body.

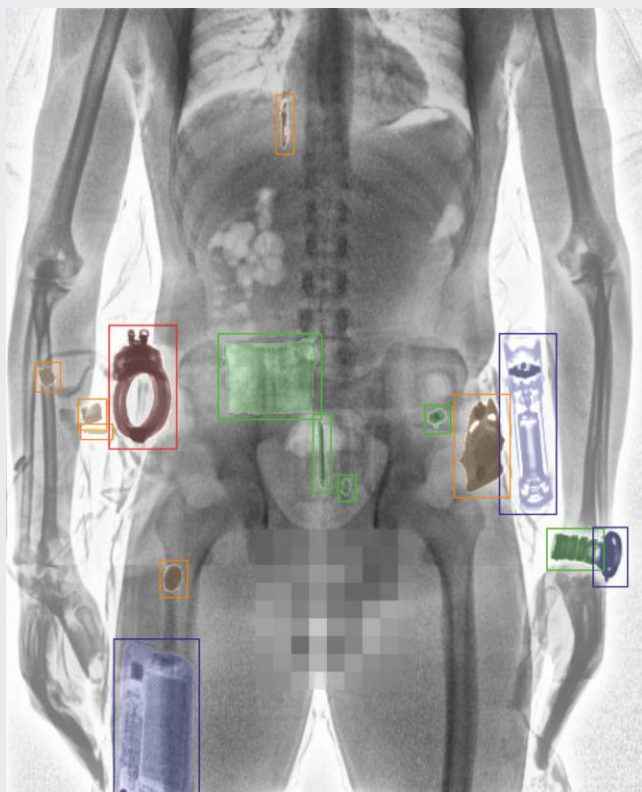
COMPASS SMART TR is intended for use at airports and border checkpoints, in the territories of production sites and mining and processing enterprises, prisons, administrative buildings and other places where a detailed examination of the human body is required, and increased security measures are in place

# COMPASS SMART TR

## OPTIONS

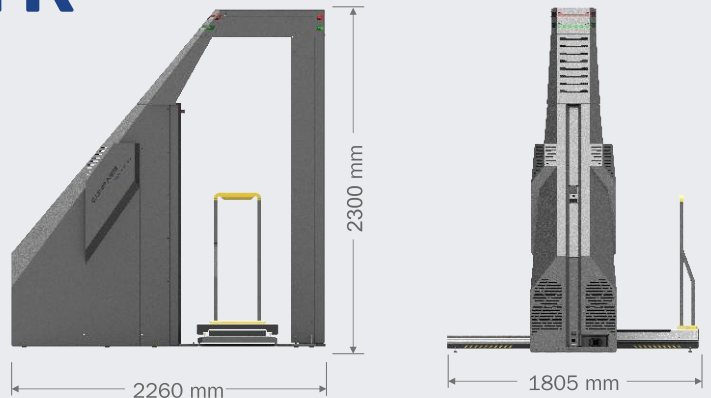
- low radiation dose (from 0.25  $\mu$ Sv), allowing multiple inspections of one person within a year
- use of A-EYE software - artificial intelligence system for automatic detection and classification of objects located inside and on the human body
- high quality and information content of the image
- high detection capacity
- high throughput
- integration into existing infrastructure, integration with access control systems and databases
- a wide range of image processing algorithms (tools)
- easy storage and transfer of the received information
- modular design for quick installation on site

## SMART THREAT DETECTION



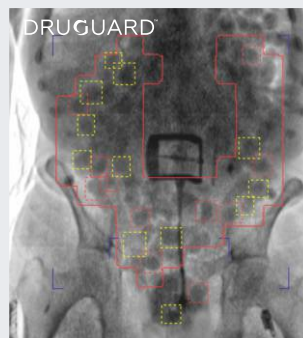
Automatic intellectual detection and indication of all threats on and inside the human body

- elements of clothes
- electronic devices (PCB inside)
- dangerous items (weapons, drugs)
- other items not belonging to the human body



## COMPASS DMS

- COMPASS DMS can unite X-ray scanners from distant locations into one network keeping track of the total X-ray exposure dose for each inspected person even when the person undergoes a security screening in different locations
- COMPASS DMS synchronizes the information: inspected people's accounts, scan records, and X-ray images between all connected devices
- COMPASS DMS is a set of applications used to run X-ray people screening systems. The system allows operators to inspect people and view their accounts, perform a security screening, and view the obtained X-ray images
- COMPASS DMS include at least three levels of controlled access including the following:
  - An "Operator" level for making scan, creating and filing reports and saving images as required.
  - A "Supervisor" level for supervisory staff to update subject information, create / update operators, review images and file data and monitor all operators' activity and data collected
  - An "Administrator" level to create/update/delete user group members with different levels of access, view audit logs, view images, save images to external drives and generate reports



Automatic drugs detection software algorithms for operator assistance & control



Smart HD images for increased penetration and resolution